

Product Specification

SPECIFICATION FOR APPROVAL

- () Preliminary Specification
- () Final Specification

Title	17.1" WXGA+ TFT LCD
-------	---------------------

Customer	
MODEL	

SUPPLIER	LG.Philips LCD Co., Ltd.
*MODEL	LP171WP7
Suffix	TLA4

*When you obtain standard approval,
please use the above model name without suffix

SIGNATURE	DATE
/	
/	
/	

Please return 1 copy for your confirmation with your signature and comments.

SIGNATURE	DATE
S.C.Yun / G.Manager	
REVIEWED BY	
G.J.Han / Manager	
PREPARED BY	
K.T.Moon / Engineer	

Products Engineering Dept.
LG. Philips LCD Co., Ltd

Product Specification

Contents

No	ITEM	Page
	COVER	1
	CONTENTS	2
	RECORD OF REVISIONS	3
1	GENERAL DESCRIPTION	4
2	ABSOLUTE MAXIMUM RATINGS	5
3	ELECTRICAL SPECIFICATIONS	
3-1	ELECTRICAL CHARACTREISTICS	6
3-2	INTERFACE CONNECTIONS	7
3-3	SIGNAL TIMING SPECIFICATIONS	9
3-4	SIGNAL TIMING WAVEFORMS	9
3-5	COLOR INPUT DATA REFERNECE	10
3-6	POWER SEQUENCE	11
4	OPTICAL SFECIFICATIONS	12
5	MECHANICAL CHARACTERISTICS	16
6	RELIABLITY	20
7	INTERNATIONAL STANDARDS	
7-1	SAFETY	21
7-2	EMC	21
8	PACKING	
8-1	DESIGNATION OF LOT MARK	22
8-2	PACKING FORM	22
9	PRECAUTIONS	23
A	APPENDIX. Enhanced Extended Display Identification Data	25~27

Product Specification

RECORD OF REVISIONS

Revision No	Revision Date	Page	Description	EDID ver
0.0	Mar. 19. 2007	-	First Draft	0.0
0.1	Jun. 25, 2007	4	Insert the hardness of front polarizer (2H)	0.2
			Insert the RoHS , vista color	
		6	Insert the Typ.& Max. current and power consumption is measured under Mosaic pattern.	
			Change the Typ. value of f_{BL} : 40kHz , 60kHz , 70kHz (Min. , Typ. , Max.) 60 kHz , 65kHz , 70kHz (Min. , Typ. , Max.)	
			Insert PWM frequency of Inverter	
		7	Insert the diagram of measurement of rush current	
		8	Insert 2lamps	
		11	Insert the Min. spec. of T1 in "0"	
		12	Insert the RGB color coordination	
		13	Miss-typing of Gray scale specification	
		16	Insert the hardness of front polarizer (2H)	
		25,26,27	Insert the EDID Table	

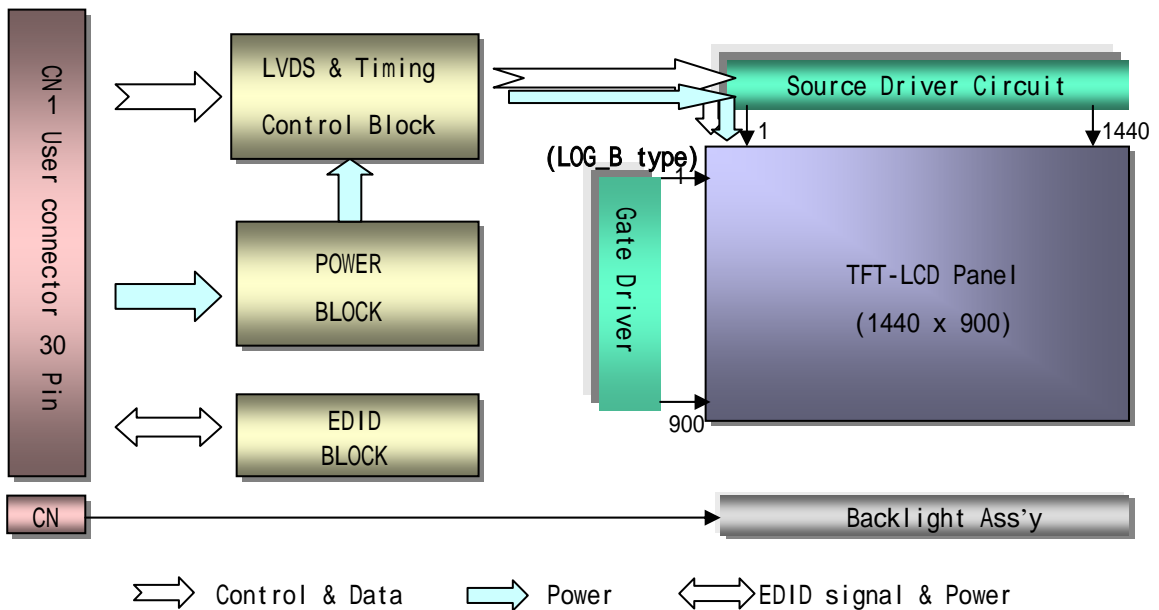
Product Specification

1. General Description

The LP171WP7 is a Color Active Matrix Liquid Crystal Display with an integral Cold Cathode Fluorescent Lamp (CCFL) backlight system. The matrix employs a-Si Thin Film Transistor as the active element. It is a transmissive type display operating in the normally white mode. This TFT-LCD has 17.1 inches diagonally measured active display area with WXGA+ resolution(900 vertical by 1440 horizontal pixel array). Each pixel is divided into Red, Green and Blue sub-pixels or dots which are arranged in vertical stripes. Gray scale or the brightness of the sub-pixel color is determined with a 6-bit gray scale signal for each dot, thus, presenting a palette of more than 262,144 colors.

The LP171WP7 has been designed to apply the interface method that enables low power, high speed, low EMI.

The LP171WP7 is intended to support applications where thin thickness, low power are critical factors and graphic displays are important. In combination with the vertical arrangement of the sub-pixels, the LP171WP7 characteristics provide an excellent flat display for office automation products such as Notebook PC.



General Features

Active Screen Size	17.1 inches diagonal
Outline Dimension	382.2(H) × 247.5(V) × 7.0(D, max) mm
Pixel Pitch	0.255 mm × 0.255 mm
Pixel Format	1440 horiz. by 900 vert. Pixels RGB strip arrangement
Color Depth	6-bit, 262,144 colors
Luminance, White	450cd/m ² (Typ.)
Power Consumption	10.77W(Typ.) @ Circuit 1.65W(Typ.) Mosaic pattern , B/L 9.12W(Typ6.0mA.)
Weight	735g(Typ.), 750g(Max.)
Display Operating Mode	Transmissive mode, normally white
Surface Treatment	Glare treatment of the front polarizer (2H)
RoHS , Vista color	Applied

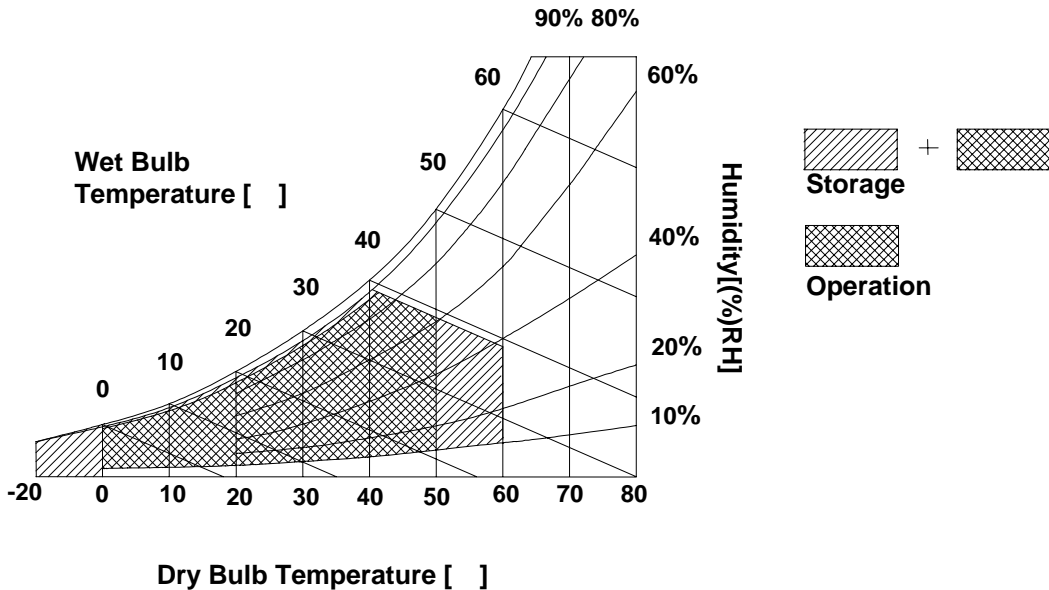
2. Absolute Maximum Ratings

The following are maximum values which, if exceeded, may cause faulty operation or damage to the unit.

Table 1. ABSOLUTE MAXIMUM RATINGS

Parameter	Symbol	Values		Units	Notes
		Min	Max		
Power Input Voltage	VCC	-0.3	4.0	Vdc	at 25 ± 5°C
Operating Temperature	TOP	0	50	°C	1
Storage Temperature	HST	-20	60	°C	1
Operating Ambient Humidity	HOP	10	90	%RH	1
Storage Humidity	HST	10	90	%RH	1

Note : 1. Temperature and relative humidity range are shown in the figure below.
Wet bulb temperature should be 39°C Max, and no condensation of water.



Product Specification

3. Electrical Specifications

3-1. Electrical Characteristics

The LP171WP7 requires two power inputs. One is employed to power the LCD electronics and to drive the TFT array and liquid crystal. The second input which powers the CCFL is typically generated by an inverter. The inverter is an external unit to the LCD.

Table 2. ELECTRICAL CHARACTERISTICS

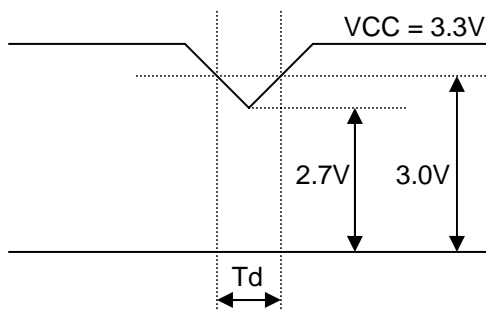
Parameter	Symbol	Values			Unit	Notes
		Min	Typ	Max		
MODULE :						
Power Supply Input Voltage	VCC	3.0	3.3	3.6	V _{DC}	1
Power Supply Input Current	I _{CC}	-	500	575	mA	2
Power Consumption	P _c	-	1.65	1.90	Watt	2
Differential Impedance	Z _m	90	100	110	Ohm	3
In-Rush Current	I _{rush}	-	-	2.0	A	
LAMP : (by 1lamp)						
Operating Voltage	V _{BL}	745(6.5mA)	760(6.0mA)	930(3.0mA)	V _{RMS}	4
Operating Current	I _{BL}	3.0	6.0	6.5	mA _{RMS}	5
Power Consumption	P _{BL}	-	4.56	4.90	W	6
Operating Frequency	f _{BL}	60	65	70	kHz	7
PWM Frequency of Inverter	-	195	205	215	Hz	
Discharge Stabilization Time	T _s	-	-	3	Min	8
Life Time		10,000	-	-	Hrs	9
Established Starting Voltage at 25 at 0	V _s			1300 1500	V _{RMS} V _{RMS}	10

Note)

1. VCC Dip condition

1-1. When 2.7V VCC < 3.0V : T_d 10 ms

1-2. When VCC < 2.7V : VCC Dip must be kept in “ 3-6. Power Sequence (page 11) “



2. The specified current and power consumption (Typ. & Max.) are under the Vcc = 3.3V , 25 °C ,
fv = 60Hz condition whereas mosaic pattern is displayed and fv is the frame frequency.

3. This impedance value is needed to proper display and measured from LVDS Tx to the mating connector.

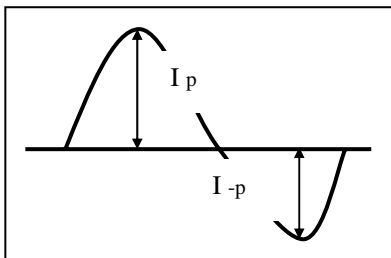
4. The variance of the voltage is ± 10%. Each 1 Lamp.

Product Specification

Note)

5. The typical operating current is for the typical surface luminance (L_{WH}) in optical characteristics.
6. The lamp power consumption shown above does not include loss of external inverter.
The applied lamp current is a typical one.
7. The output of the inverter must have symmetrical(negative and positive) voltage waveform and symmetrical current waveform.(Asymmetrical ratio is less than 10%) Please do not use the inverter which has asymmetrical voltage and asymmetrical current and spike wave.
Lamp frequency may produce interface with horizontal synchronous frequency and as a result this may cause beat on the display. Therefore lamp frequency shall be as away possible from the horizontal synchronous frequency and from its harmonics in order to prevent interference.
8. Define the brightness of the lamp after being lighted for 5 minutes as 100%, T_s is the time required for the brightness of the center of the lamp to be not less than 95%.
9. The life time is determined as the time at which brightness of lamp is 50% compare to that of initial value at the typical lamp current.
10. The voltage above VS should be applied to the lamps for more than 1 second for start-up. Otherwise, the lamps may not be turned on. The used lamp current is the lamp typical current.
11. Requirements for a system inverter design, which is intended to have a better display performance, a better power efficiency and a more reliable lamp, are following.
It shall help increase the lamp lifetime and reduce leakage current.
 - a. The asymmetry rate of the inverter waveform should be less than 10%.
 - b. The distortion rate of the waveform should be within $2 \pm 10\%$.

* Inverter output waveform had better be more similar to ideal sine wave.



* Asymmetry rate:

$$\frac{|I_p - I_{-p}|}{I_{rms}} * 100\%$$

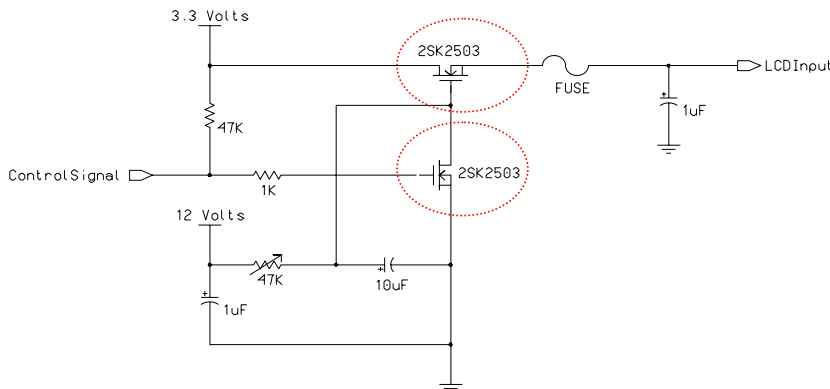
* Distortion rate

$$I_p \text{ (or } I_{-p}) / I_{rms}$$

Do not attach a conducting tape to lamp connecting wire.

If the lamp wire attach to a conducting tape, TFT-LCD Module has a low luminance and the inverter has abnormal action. Because leakage current is occurred between lamp wire and conducting tape.

12. Measurement of rush current



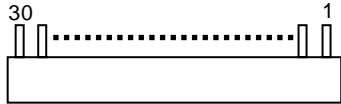
Product Specification

3-2. Interface Connections

This LCD employs two interface connections, a 30 pin connector is used for the module electronics interface and the other connector is used for the integral backlight system.

The electronics interface connector is a model GT101-30S-HR11 manufactured by LGC.

Table 3. MODULE CONNECTOR PIN CONFIGURATION (CN1)

Pin	Symbol	Description	Notes
1	GND	Ground	<p>1. Interface chips 1.1 LCD : TL2299ML(LCD Controller) including LVDS Receiver 1.2 System : THC63LVDF823A or equivalent * Pin to Pin compatible with TI LVDS</p> <p>2. Connector 2.1 LCD : GT101-30S-HR11, LGC or its compatibles 2.2 Mating : FI-X30M or equivalent. 2.3 Connector pin arrangement</p>  <p>[LCD Module Rear View]</p>
2	VCC	Power Supply, 3.3V Typ.	
3	VCC	Power Supply, 3.3V Typ.	
4	V EEDID	DDC 3.3V power	
5	NC	Reserved for supplier test point	
6	Clk EEDID	DDC Clock	
7	DATA EEDID	DDC Data	
8	Odd_R _{IN} 0-	Negative LVDS differential data input	
9	Odd_R _{IN} 0+	Positive LVDS differential data input	
10	GND	Ground	
11	Odd_R _{IN} 1-	Negative LVDS differential data input	
12	Odd_R _{IN} 1+	Positive LVDS differential data input	
13	GND	Ground	
14	Odd_R _{IN} 2-	Negative LVDS differential data input	
15	Odd_R _{IN} 2+	Positive LVDS differential data input	
16	GND	Ground	
17	Odd_CLKIN-	Negative LVDS differential clock input	
18	Odd_CLKIN+	Positive LVDS differential clock input	
19	GND	Ground	
20	Even_R _{IN} 0-	Negative LVDS differential data input	
21	Even_R _{IN} 0+	Positive LVDS differential data input	
22	GND	Ground	
23	Even_R _{IN} 1-	Negative LVDS differential data input	
24	Even_R _{IN} 1+	Positive LVDS differential data input	
25	GND	Ground	
26	Even_R _{IN} 2-	Negative LVDS differential data input	
27	Even_R _{IN} 2+	Positive LVDS differential data input	
28	GND	Ground	
29	Even_CLKIN-	Negative LVDS differential clock input	
30	Even_CLKIN+	Positive LVDS differential clock input	

The backlight interface connector is a model BHSR-02VS-1, manufactured by JST or its compatibles.

The mating connector part number is SM02B-BHSS-1 or equivalent

Table 5. BACKLIGHT CONNECTOR PIN CONFIGURATION (J3)

Pin	Symbol	Description	Notes
1	HV	Power supply for lamp (High voltage side)	1
2	LV	Power supply for lamp (Low voltage side)	1

Notes : 1. The high voltage side terminal is colored pink and the low voltage side terminal is yellow. (Lamp #1)
The high voltage side terminal is colored sky blue and the low voltage side terminal is black. (Lamp #2)

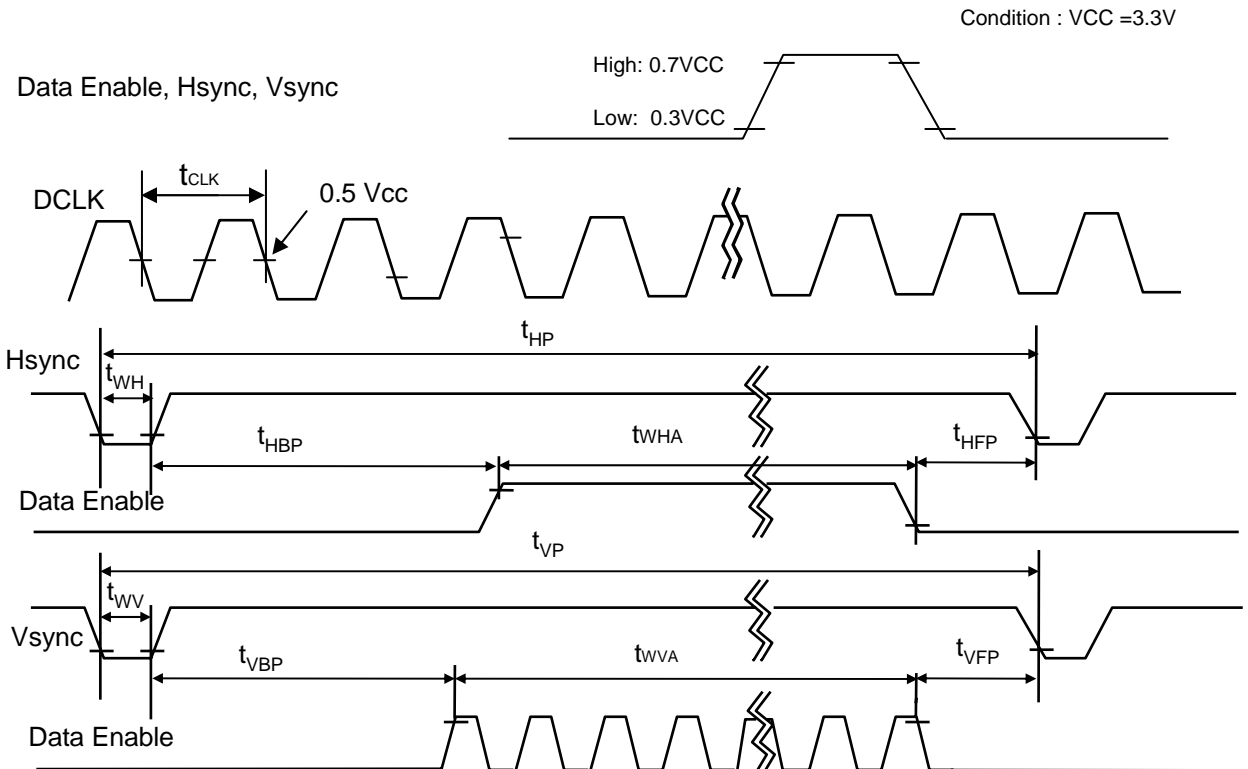
3-3. Signal Timing Specifications

This is the signal timing required at the input of the User connector. All of the interface signal timing should be satisfied with the following specifications and specifications of LVDS Tx/Rx for its proper operation.

Table 6. TIMING TABLE

ITEM	Symbol		Min	Typ	Max	Unit	Note
DCLK	Frequency	fCLK	43	48.1	52	MHz	2port input
Hsync	Period	tHP	793	880	938	tCLK	
	Width	tWH	14	16	-		
Vsync	Period	tVP	908	912	916	tHP	
	Width	tWV	2	3	-		
Data Enable	Horizontal back porch	tHBP	49	112	-	tCLK	
	Horizontal front porch	tHFP	16	32	-		
	Vertical back porch	tVBP	4	6	-	tHP	
	Vertical front porch	tVFP	2	3	-		

3-4. Signal Timing Waveforms



Product Specification

3-5. Color Input Data Reference

The brightness of each primary color (red, green and blue) is based on the 6-bit gray scale data input for the color ; the higher the binary input, the brighter the color. The table below provides a reference for color versus data input.

Table 7. COLOR DATA REFERENCE

Color		Input Color Data																	
		RED						GREEN						BLUE					
		MSB			LSB			MSB			LSB			MSB			LSB		
		R5	R4	R3	R2	R1	R0	G5	G4	G3	G2	G1	G0	B5	B4	B3	B2	B1	B0
Basic Color	Black	0	0	0	0	0	0	0	0	0	0	0	0	0	0	0	0	0	0
	Red	1	1	1	1	1	1	0	0	0	0	0	0	0	0	0	0	0	0
	Green	0	0	0	0	0	0	1	1	1	1	1	1	0	0	0	0	0	0
	Blue	0	0	0	0	0	0	0	0	0	0	0	0	1	1	1	1	1	1
	Cyan	0	0	0	0	0	0	1	1	1	1	1	1	1	1	1	1	1	1
	Magenta	1	1	1	1	1	1	0	0	0	0	0	0	1	1	1	1	1	1
	Yellow	1	1	1	1	1	1	1	1	1	1	1	1	0	0	0	0	0	0
	White	1	1	1	1	1	1	1	1	1	1	1	1	1	1	1	1	1	1
RED	RED (00)	0	0	0	0	0	0	0	0	0	0	0	0	0	0	0	0	0	0
	RED (01)	0	0	0	0	0	1	0	0	0	0	0	0	0	0	0	0	0	0
					
	RED (62)	1	1	1	1	1	0	0	0	0	0	0	0	0	0	0	0	0	0
	RED (63)	1	1	1	1	1	1	0	0	0	0	0	0	0	0	0	0	0	0
GREEN	GREEN (00)	0	0	0	0	0	0	0	0	0	0	0	0	0	0	0	0	0	0
	GREEN (01)	0	0	0	0	0	0	0	0	0	0	0	1	0	0	0	0	0	0
					
	GREEN (62)	0	0	0	0	0	0	1	1	1	1	1	0	0	0	0	0	0	0
	GREEN (63)	0	0	0	0	0	0	1	1	1	1	1	1	0	0	0	0	0	0
BLUE	BLUE (00)	0	0	0	0	0	0	0	0	0	0	0	0	0	0	0	0	0	0
	BLUE (01)	0	0	0	0	0	0	0	0	0	0	0	0	0	0	0	0	0	1
					
	BLUE (62)	0	0	0	0	0	0	0	0	0	0	0	0	1	1	1	1	1	0
	BLUE (63)	0	0	0	0	0	0	0	0	0	0	0	0	1	1	1	1	1	1

3-6. Power Sequence

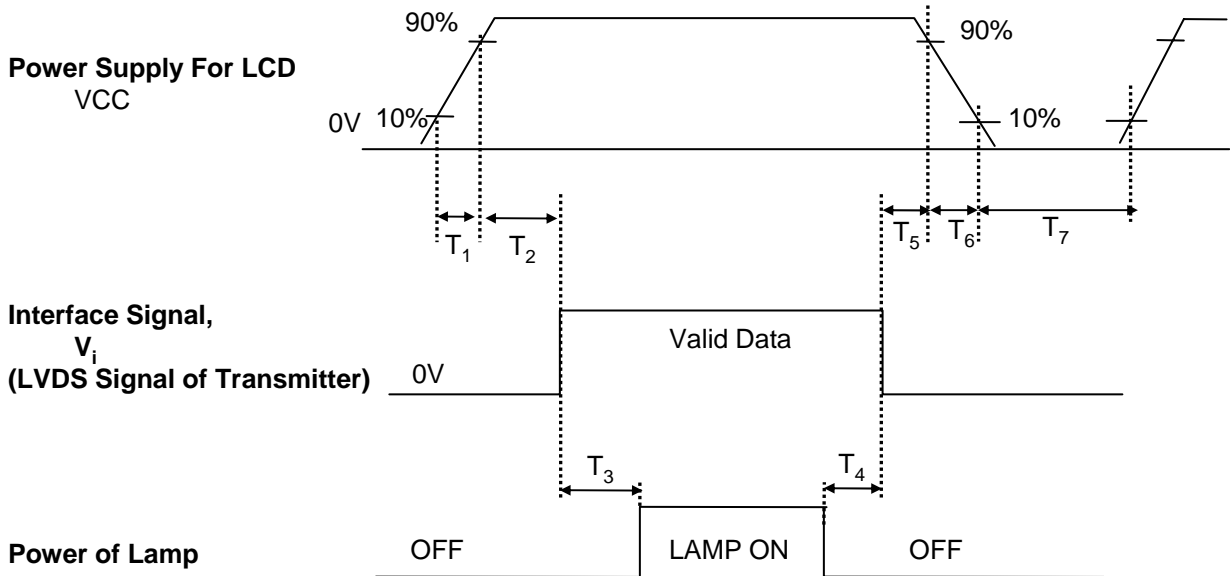


Table 8. POWER SEQUENCE TABLE

Parameter	Value			Units
	Min.	Typ.	Max.	
T ₁	0	-	10	(ms)
T ₂	0	-	50	(ms)
T ₃	200	-	-	(ms)
T ₄	200	-	-	(ms)
T ₅	0	-	50	(ms)
T ₆	0	-	10	(ms)
T ₇	200	-	-	(ms)

Note)

1. Please avoid floating state of interface signal at invalid period.
2. When the interface signal is invalid, be sure to pull down the power supply for LCD VCC to 0V.
3. Lamp power must be turn on after power supply for LCD and interface signal are valid.

Product Specification

4. Optical Specification

Optical characteristics are determined after the unit has been 'ON' and stable for approximately 30 minutes in a dark environment at 25°C. The values specified are at an approximate distance 50cm from the LCD surface at a viewing angle of Φ and Θ equal to 0°.

FIG. 1 presents additional information concerning the measurement equipment and method.

FIG. 1 Optical Characteristic Measurement Equipment and Method

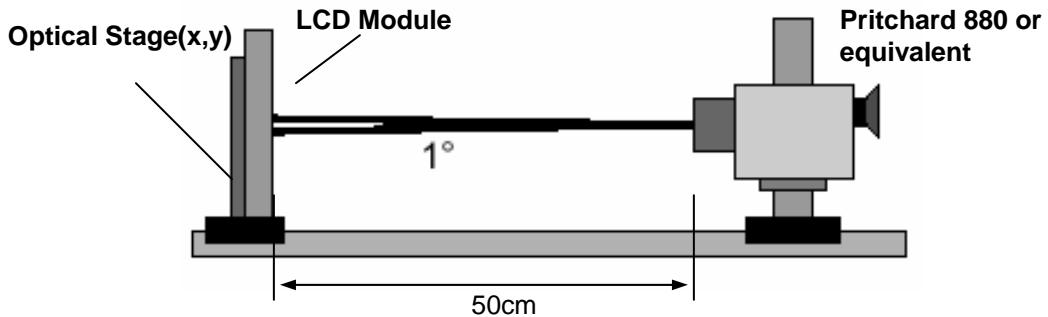


Table 9. OPTICAL CHARACTERISTICS

Ta=25°C, VCC=3.3V, fv=60Hz, fCLK= 96.2MHz, IBL= 6.0mA

Parameter	Symbol	Values			Units	Notes
		Min	Typ	Max		
Contrast Ratio	CR	500	800	-		1
Surface Luminance, white	L _{WH}	380	450	-	cd/m ²	2
Luminance Variation	δ_{WHITE}	-	1.8	2.0		3
Response Time (total)	Tr _{Total}	-	8	12	ms	4
Color Coordinates						
RED	RX	0.606	0.636	0.666		
	RY	0.312	0.342	0.372		
GREEN	GX	0.268	0.298	0.328		
	GY	0.590	0.620	0.650		
BLUE	BX	0.115	0.145	0.175		
	BY	0.039	0.069	0.099		
WHITE	WX	0.283	0.313	0.343		
	WY	0.299	0.329	0.359		
Viewing Angle						
x axis, right ($\Phi=0^\circ$)	Θ_r	60	-	-	degree	5
	Θ_l	60	-	-	degree	
	Θ_u	50	-	-	degree	
	Θ_d	50	-	-	degree	
Gray Scale						
						6

Product Specification

Note)

1. Contrast Ratio(CR) is defined mathematically as

$$\text{Contrast Ratio} = \frac{\text{Surface Luminance with all white pixels}}{\text{Surface Luminance with all black pixels}}$$

2. Surface luminance is the average of 5 point across the LCD surface 50cm from the surface with all pixels displaying white. For more information see FIG 1.

$$L_{WH} = \text{Average}(L_1, L_2, \dots L_5)$$

3. The variation in surface luminance , The panel total variation (δ_{WHITE}) is determined by measuring L_N at each test position 1 through 13 and then defined as followed numerical formula.
For more information see FIG 2.

$$\delta_{WHITE} = \frac{\text{Maximum}(L_1, L_2, \dots L_{13}) - \text{Minimum}(L_1, L_2, \dots L_{13})}{\text{Maximum}(L_1, L_2, \dots L_{13})} \times 100$$

4. Response time is the time required for the display to transition from white to black (rise time, Tr_R) and from black to white (decay time, Tr_D). For additional information see FIG 3.

5. Viewing angle is the angle at which the contrast ratio is greater than 10. The angles are determined for the horizontal or x axis and the vertical or y axis with respect to the z axis which is normal to the LCD surface. For more information see FIG 4.

6. Gray scale specification

* $f_V = 60\text{Hz}$

Gray Level	Luminance [%] (Typ)
L0	0.12
L7	0.32
L15	2.60
L23	8.10
L31	18.00
L39	32.40
L47	51.40
L55	74.20
L63	100.00

Product Specification

FIG. 2 Luminance

<measuring point for surface luminance & measuring point for luminance variation>

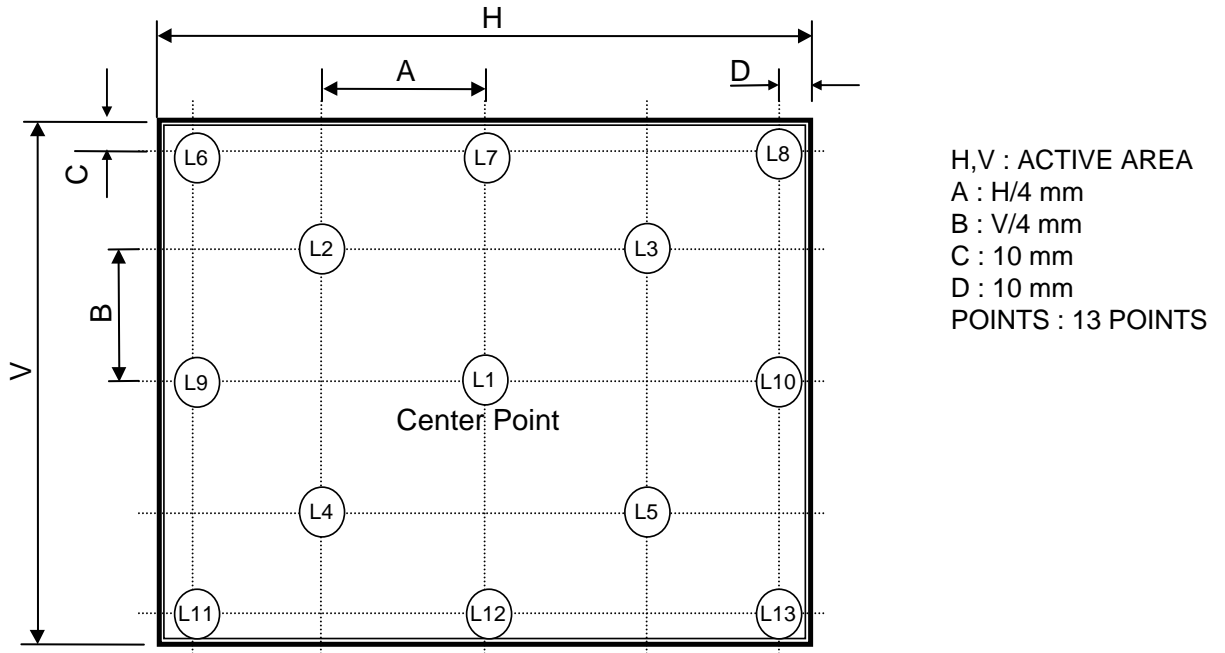


FIG. 3 Response Time

The response time is defined as the following figure and shall be measured by switching the input signal for "black" and "white".

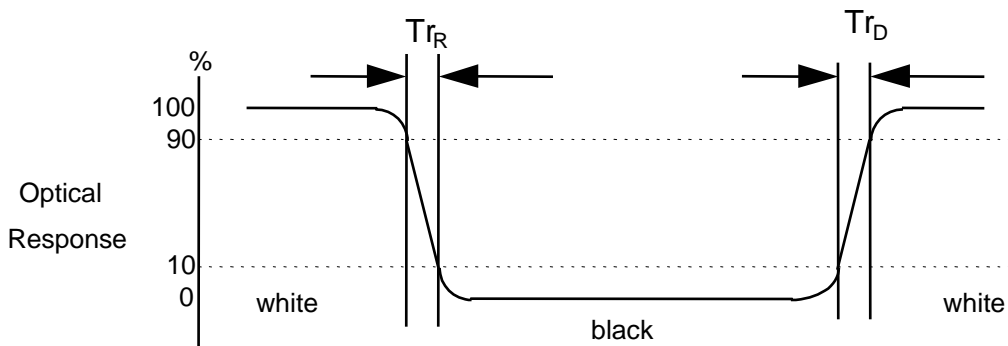
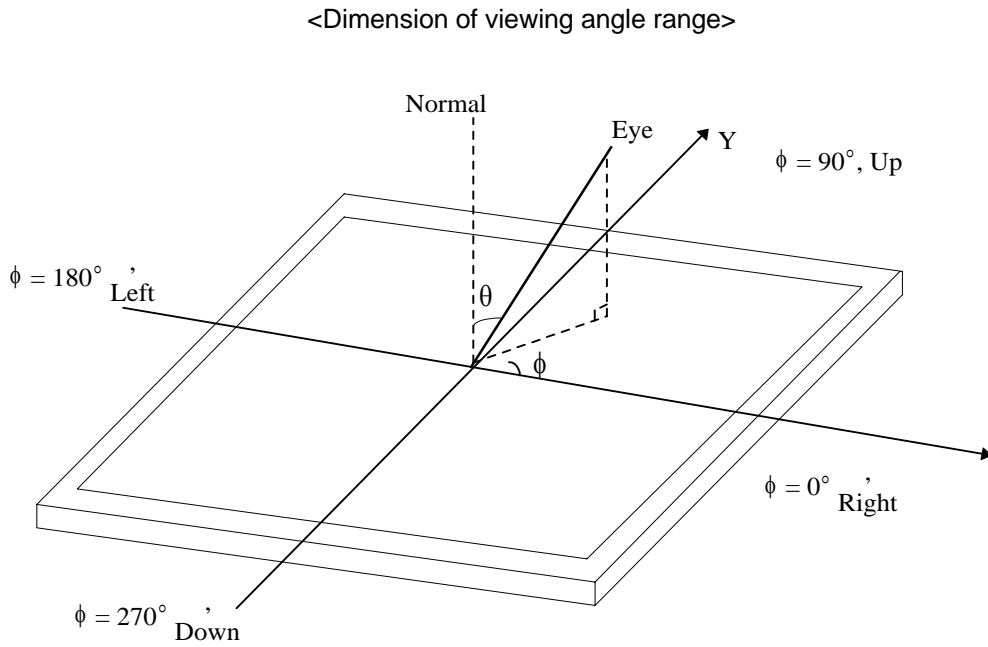


FIG. 4 Viewing angle



Product Specification

5. Mechanical Characteristics

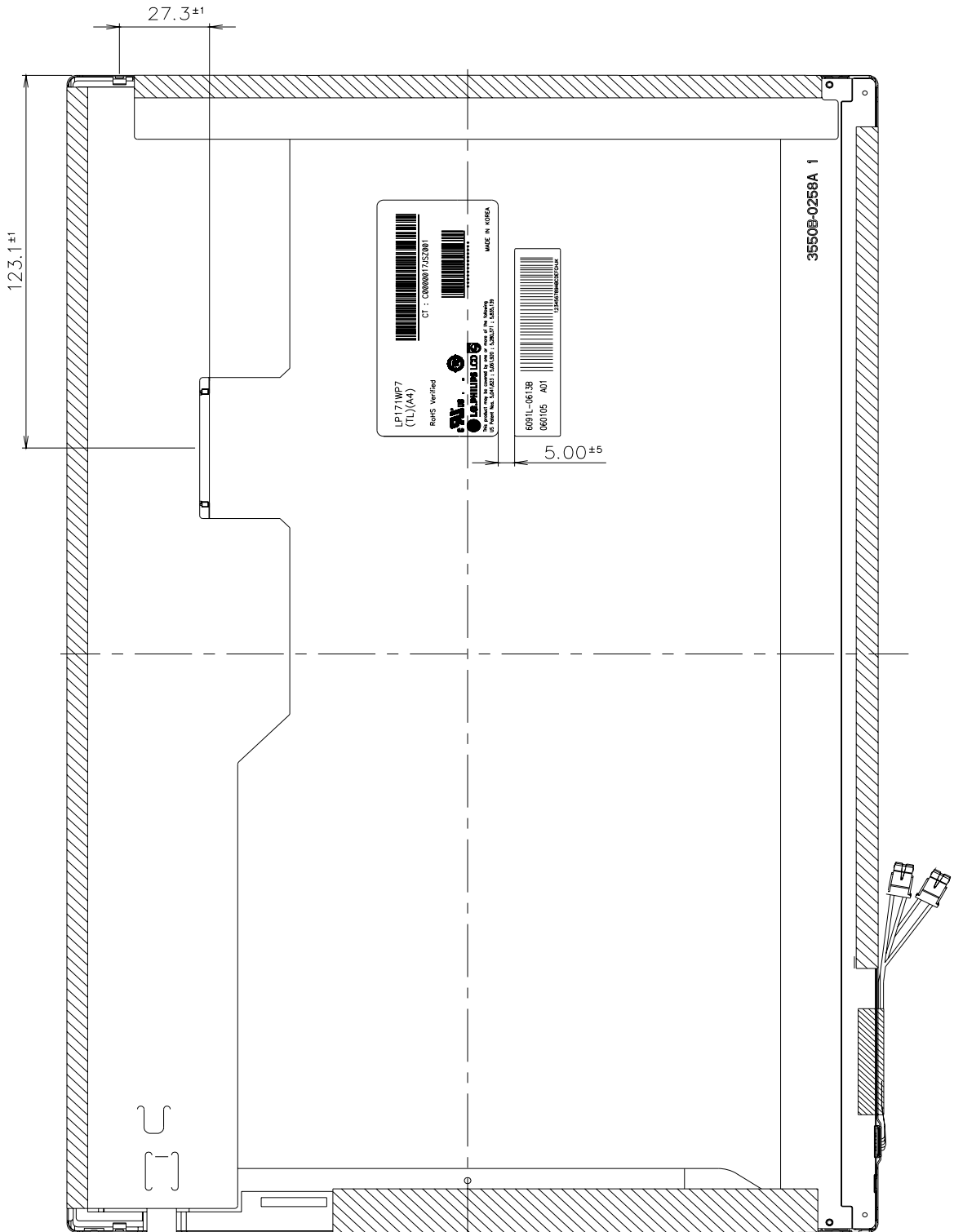
The contents provide general mechanical characteristics for the model LP171WP7. In addition the figures in the next page are detailed mechanical drawing of the LCD.

Outline Dimension	Horizontal	382.2 ± 0.5mm
	Vertical	247.5 ± 0.5mm
	Depth	6.7mm(Typ.),7.0mm(Max.)
Bezel Area	Horizontal	370.6 ± 0.5mm
	Vertical	232.9 ± 0.5mm
Active Display Area	Horizontal	367.2 mm
	Vertical	229.5 mm
Weight	735g (Typ.), 750g (Max.)	
Surface Treatment	Glare treatment of the front polarizer(2H)	

Product Specification

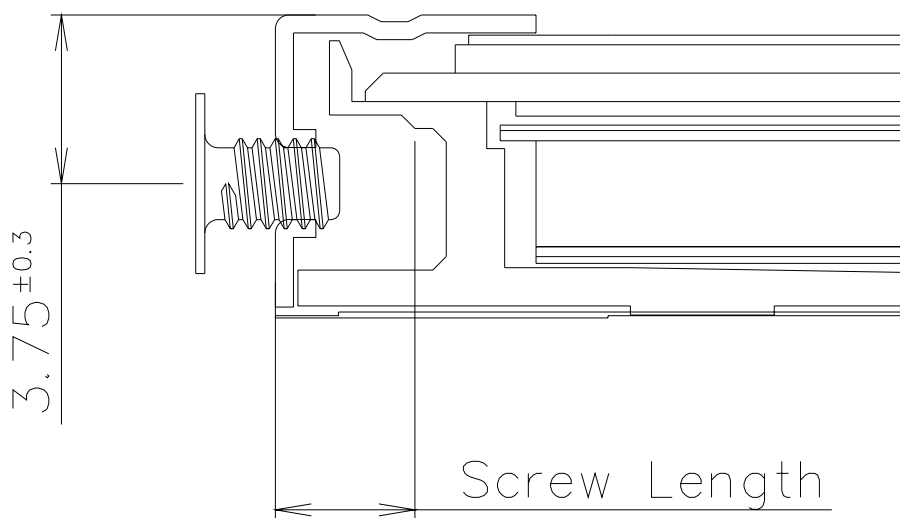
<REAR VIEW>

Note) Unit:[mm], General tolerance: ± 0.5 mm



Product Specification

[DETAIL DESCRIPTION OF SIDE MOUNTING SCREW]



* Screw Length : Max : 2.5, Min : 2.0

(Left 4ea, Right 4ea)

* Screw Torque : Max 2.0kgf.cm

Notes : 1. Screw plated through the method of non-electrolytic nickel plating is preferred to reduce possibility that results in vertical and/or horizontal line defect due to the conductive particles from screw surface.

Note) Unit:[mm], General tolerance: ± 0.5 mm

Product Specification

6. Reliability

Environment test condition

No.	Test Item	Conditions
1	High temperature storage test	Ta= 60°C, 240h
2	Low temperature storage test	Ta= -20°C, 240h
3	High temperature operation test	Ta= 50°C, 50%RH, 240h
4	Low temperature operation test	Ta= 0°C, 240h
5	Vibration test (non-operating)	Sine wave, 10 ~ 500 ~ 10Hz, 1.5G, 0.37oct/min 3 axis, 1hour/axis
6	Shock test (non-operating)	Half sine wave, 180G, 2ms one shock of each six faces(I.e. run 180G 2ms for all six faces)
7	Altitude operating storage / shipment	0 ~ 10,000 feet (3,048m) 24Hr 0 ~ 40,000 feet (12,192m) 24Hr

{ Result Evaluation Criteria }

There should be no change which might affect the practical display function when the display quality test is conducted under normal operating condition.

7. International Standards

7-1. Safety

- a) UL 60950-1:2003, First Edition, Underwriters Laboratories, Inc., Standard for Safety of Information Technology Equipment.
- b) CAN/CSA C22.2, No. 60950-1-03 1st Ed. April 1, 2003, Canadian Standards Association, Standard for Safety of Information Technology Equipment.
- c) EN 60950-1:2001, First Edition, European Committee for Electrotechnical Standardization(CENELEC) European Standard for Safety of Information Technology Equipment.

7-2. EMC

- a) ANSI C63.4 "Methods of Measurement of Radio-Noise Emissions from Low-Voltage Electrical and Electrical Equipment in the Range of 9kHz to 40GHz. "American National Standards Institute(ANSI), 1992
- b) C.I.S.P.R. "Limits and Methods of Measurement of Radio Interface Characteristics of Information Technology Equipment." International Special Committee on Radio Interference.
- c) EN 55022 "Limits and Methods of Measurement of Radio Interface Characteristics of Information Technology Equipment." European Committee for Electrotechnical Standardization.(CENELEC), 1998 (Including A1: 2000)

Product Specification

8. Packing

8-1. Designation of Lot Mark

a) Lot Mark

A	B	C	D	E	F	G	H	I	J	K	L	M
---	---	---	---	---	---	---	---	---	---	---	---	---

A,B,C : SIZE(INCH)
E : MONTH

D : YEAR
F ~ M : SERIAL NO.

Note

1. YEAR

Year	2001	2002	2003	2004	2005	2006	2007	2008	2009	2010
Mark	1	2	3	4	5	6	7	8	9	0

2. MONTH

Month	Jan	Feb	Mar	Apr	May	Jun	Jul	Aug	Sep	Oct	Nov	Dec
Mark	1	2	3	4	5	6	7	8	9	A	B	C

b) Location of Lot Mark

Serial No. is printed on the label. The label is attached to the backside of the LCD module.
This is subject to change without prior notice.

8-2. Packing Form

- a) Package quantity in one box : 20 pcs
- b) Box Size : 475mm X 348mm X 327mm

9. PRECAUTIONS

Please pay attention to the followings when you use this TFT LCD module.

9-1. MOUNTING PRECAUTIONS

- (1) You must mount a module using holes arranged in four corners or four sides.
- (2) You should consider the mounting structure so that uneven force (ex. Twisted stress) is not applied to the module. And the case on which a module is mounted should have sufficient strength so that external force is not transmitted directly to the module.
- (3) Please attach the surface transparent protective plate to the surface in order to protect the polarizer. Transparent protective plate should have sufficient strength in order to resist external force.
- (4) You should adopt radiation structure to satisfy the temperature specification.
- (5) Acetic acid type and chlorine type materials for the cover case are not desirable because the former generates corrosive gas of attacking the polarizer at high temperature and the latter causes circuit break by electro-chemical reaction.
- (6) Do not touch, push or rub the exposed polarizers with glass, tweezers or anything harder than HB pencil lead. And please do not rub with dust clothes with chemical treatment. Do not touch the surface of polarizer for bare hand or greasy cloth.(Some cosmetics are detrimental to the polarizer.)
- (7) When the surface becomes dusty, please wipe gently with absorbent cotton or other soft materials like chamois soaks with petroleum benzene. Normal-hexane is recommended for cleaning the adhesives used to attach front / rear polarizers. Do not use acetone, toluene and alcohol because they cause chemical damage to the polarizer.
- (8) Wipe off saliva or water drops as soon as possible. Their long time contact with polarizer causes deformations and color fading.
- (9) Do not open the case because inside circuits do not have sufficient strength.

9-2. OPERATING PRECAUTIONS

- (1) The spike noise causes the mis-operation of circuits. It should be lower than following voltage :
 $V = \pm 200\text{mV}$ (Over and under shoot voltage)
- (2) Response time depends on the temperature.(In lower temperature, it becomes longer.)
- (3) Brightness depends on the temperature. (In lower temperature, it becomes lower.)
And in lower temperature, response time(required time that brightness is stable after turned on) becomes longer.
- (4) Be careful for condensation at sudden temperature change. Condensation makes damage to polarizer or electrical contacted parts. And after fading condensation, smear or spot will occur.
- (5) When fixed patterns are displayed for a long time, remnant image is likely to occur.
- (6) Module has high frequency circuits. Sufficient suppression to the electromagnetic interference shall be done by system manufacturers. Grounding and shielding methods may be important to minimize the interference.

9-3. ELECTROSTATIC DISCHARGE CONTROL

Since a module is composed of electronic circuits, it is not strong to electrostatic discharge. Make certain that treatment persons are connected to ground through wrist band etc. And don't touch interface pin directly.

9-4. PRECAUTIONS FOR STRONG LIGHT EXPOSURE

Strong light exposure causes degradation of polarizer and color filter.

9-5. STORAGE

When storing modules as spares for a long time, the following precautions are necessary.

- (1) Store them in a dark place. Do not expose the module to sunlight or fluorescent light. Keep the temperature between 5°C and 35°C at normal humidity.
- (2) The polarizer surface should not come in contact with any other object.
It is recommended that they be stored in the container in which they were shipped.

9-6. HANDLING PRECAUTIONS FOR PROTECTION FILM

- (1) When the protection film is peeled off, static electricity is generated between the film and polarizer.
This should be peeled off slowly and carefully by people who are electrically grounded and with well ion-blown equipment or in such a condition, etc.
- (2) The protection film is attached to the polarizer with a small amount of glue. If some stress is applied to rub the protection film against the polarizer during the time you peel off the film, the glue is apt to remain on the polarizer.
Please carefully peel off the protection film without rubbing it against the polarizer.
- (3) When the module with protection film attached is stored for a long time, sometimes there remains a very small amount of glue still on the polarizer after the protection film is peeled off.
- (4) You can remove the glue easily. When the glue remains on the polarizer surface or its vestige is recognized, please wipe them off with absorbent cotton waste or other soft material like chamois soaked with normal-hexane.

Product Specification

APPENDIX A. Enhanced Extended Display Identification Data (EEDID™) 1/3

Byte# (decimal)	Byte# (HEX)	Field Name and Comments	Value (HEX)
0	00	Header	0 0
1	01	Header	F F
2	02	Header	F F
3	03	Header	F F
4	04	Header	F F
5	05	Header	F F
6	06	Header	F F
7	07	Header	0 0
8	08	EISA manufacturer code(3 Character ID) = LPL	3 2
9	09		0 C
10	0A	Product code = 00FE	0 0
11	0B	(Hex, LSB first)	F E
12	0C	32-bit serial number	0 0
13	0D		0 0
14	0E		0 0
15	0F		0 0
16	10	Week of manufacture	0 0
17	11	Year of manufacture = 2007	1 1
18	12	EDID Structure version # = 1	0 1
19	13	EDID Revision # = 2	0 2
20	14	Video input definition = Digital I/p,non TMDS CRGB	8 0
21	15	Max H image size(cm) = 36.72cm(37)	2 5
22	16	Max V image size(cm) = 22.95cm(23)	1 7
23	17	Display gamma = 2.20	7 8
24	18	Feature support(DPMS) = Active off, RGB Color	0 A
25	19	Red/Green low Bits	2 6
26	1A	Blue/White Low Bits	2 0
27	1B	Red X Rx = 0.606	9 B
28	1C	Red Y Ry = 0.342	5 7
29	1D	Green X Gx = 0.298	4 C
30	1E	Green Y Gy = 0.620	9 E
31	1F	Blue X Bx = 0.145	2 5
32	20	Blue Y By = 0.069	1 1
33	21	White X Wx = 0.313	5 0
34	22	White Y Wy = 0.329	5 4
35	23	Established Timing I	0 0
36	24	Established Timing II	0 0
37	25	Manufacturer's Timings	0 0
38	26	Standard Timing Identification 1 was not used	0 1
39	27	Standard Timing Identification 1 was not used	0 1
40	28	Standard Timing Identification 2 was not used	0 1
41	29	Standard Timing Identification 2 was not used	0 1
42	2A	Standard Timing Identification 3 was not used	0 1
43	2B	Standard Timing Identification 3 was not used	0 1
44	2C	Standard Timing Identification 4 was not used	0 1
45	2D	Standard Timing Identification 4 was not used	0 1
46	2E	Standard Timing Identification 5 was not used	0 1
47	2F	Standard Timing Identification 5 was not used	0 1
48	30	Standard Timing Identification 6 was not used	0 1
49	31	Standard Timing Identification 6 was not used	0 1
50	32	Standard Timing Identification 7 was not used	0 1
51	33	Standard Timing Identification 7 was not used	0 1
52	34	Standard Timing Identification 8 was not used	0 1
53	35	Standard Timing Identification 8 was not used	0 1

Product Specification

APPENDIX A. Enhanced Extended Display Identification Data (EEDID™) 2/3

Byte# (decimal)	Byte# (HEX)	Field Name and Comments	Value (HEX)	
54	36	1440 X 900 @ 60Hz mode : pixel clock = 96.21MHz	9	5
55	37	(Stored LSB first)	2	5
56	38	Horizontal Active = 1440 pixels	A	0
57	39	Horizontal Blanking = 320 pixels	4	0
58	3A	Horizontal Active : Horizontal Blanking = 1440 : 320	5	1
59	3B	Vertical Active = 900 lines	8	4
60	3C	Vertical Blanking = 12 lines	0	C
61	3D	Vertical Active : Vertical Blanking = 900 : 12	3	0
62	3E	Horizontal Sync. Offset = 64 pixels	4	0
63	3F	Horizontal Sync Pulse Width = 32 pixels	2	0
64	40	Vertical Sync Offset = 3 lines, Sync Width = 3 lines	3	3
65	41	Horizontal Vertical Sync Offset/Width upper 2bits = 0	0	0
66	42	Horizontal Image Size = 367.2mm(367)	6	F
67	43	Vertical Image Size = 229.5mm(230)	E	6
68	44	Horizontal & Vertical Image Size	1	0
69	45	Horizontal Border = 0	0	0
70	46	Vertical Border = 0	0	0
71	47	Non - interlaced, Normal display, no stereo, Digital separate sync, H/V pol negatives	1	8
72	48	Detailed Timing Descriptor #2	0	0
73	49		0	0
74	4A		0	0
75	4B		0	0
76	4C		0	0
77	4D		0	0
78	4E		0	0
79	4F		0	0
80	50		0	0
81	51		0	0
82	52		0	0
83	53		0	0
84	55		0	0
85	55		0	0
86	56		0	0
87	57		0	0
88	58		0	0
89	59		0	0
90	5A	Detailed Timing Descriptor #3	0	0
91	5B		0	0
92	5C		0	0
93	5D		F	E
94	5E		0	0
95	5F	L	4	C
96	60	G	4	7
97	61	P	5	0
98	62	h	6	8
99	63	i	6	9
100	64	l	6	C
101	65	i	6	9
102	66	p	7	0
103	67	s	7	3
104	68	L	4	C
105	69	C	4	3
106	6A	D	4	4
107	6B	LF	0	A

Product Specification

APPENDIX A. Enhanced Extended Display Identification Data (EEDID™) 3/3

Byte# (decimal)	Byte# (HEX)	Field Name and Comments	Value (HEX)	
108	6C	Detailed Timing Descriptor #4	0	0
109	6D		0	0
110	6E		0	0
111	6F		F	E
112	70		0	0
113	71	L	4	C
114	72	P	5	0
115	73	1	3	1
116	74	7	3	7
117	75	1	3	1
118	76	W	5	7
119	77	P	5	0
120	78	7	3	7
121	79	-	2	D
122	7A	T	5	4
123	7B	L	4	C
124	7C	A	4	1
125	7D	4	3	4
126	7E	Extension flag = 00	0	0
127	7F	Checksum	1	7